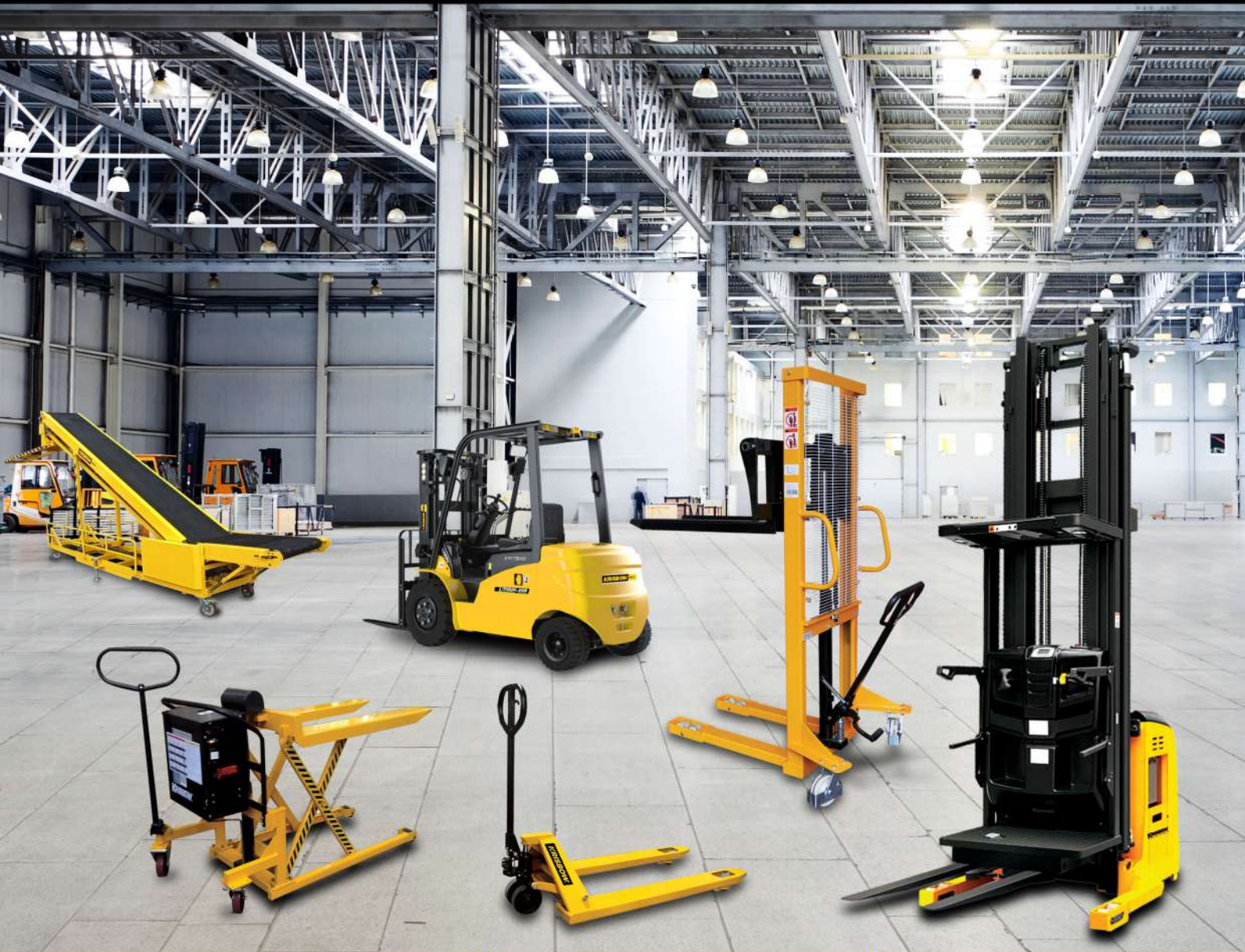


KRISBOW®

MATERIAL HANDLING EQUIPMENT



SCAN

FOR OUR LATEST VIDEO



SCAN

FOR BROCHURE & CATALOG



SCAN

FOR OUR STORE LOCATION

HAND TROLLEY & HAND TRUCK



WHEEL BARROW



PNEUMATIC WHEEL



10135449

Features :

- Heavy duty steel tray wheel barrow
- Ideal helper for your working and gardening
- Reinforced handles and frame with powder coated

Article No.	10106910
Model No.	PRWBP1360
Description	Wheel Barrow 130kg 60ℓ
Specification	
Capacity (kg/ℓ)	130 / 60
Material	Steel
Tray Dimension (mm)	820 x 665 x 215
Handle Distance (mm)	535
Wheel Diameter (inch)	14
Castor Type	Pneumatic Rubber
Dimension (mm)	1440 x 665 x 550
Weight (kg)	13

Article No.	Description
10135449	Pneumatic Wheel 3.50 - 8 for 10106910

HAND TROLLEY



Features :

- Tilt and push manouver system
- Quality steel construction
- Cross bar design support



Article No.	Description
10135450	Solid Tyre 8" for 10106912
10135451	Solid Tyre 10" for 10106913
10135452	Solid Tyre 10" for 10106914
10135453	Swivel Castor 4" for 10106914

Article No.	10106912	10106913	10106914
Model No.	PRHT12	PRHT15	PRHT25
Description	Hand Trolley 120kg Solid Tyre	Hand Trolley 150kg Solid Tyre	Hand Trolley 250kg Solid Tyre
Specification			
Capacity (kg)	120	150	250
Material	Steel		
Wheel Diameter (inch)	8	10	
Castor Type	Solid Rubber		
Dimension (mm)	1125 x 460 x 385	1114 x 517 x 448	1450 x 550 x 460
Weight (kg)	7.9	13.4	15.9

ALUMINIUM HAND TROLLEY



Features :

- Fold the basket with aluminium and steel
- Fold the trolley hand with light weight and portability
- Adjustable handle

Article No.	10166539	
Model No.	PRHTA90	
Description	Foldable Hand Truck 90kg	
Specification		
Capacity (kg)	90	
Material	Handle	Chrome Plated Steel Tube
	Frame	Aluminium
	Bottom Plate	Powder Coated Steel
Base Dimension (mm)	395 x 250	
Wheel Diameter (mm)	150	
Castor Type	PP + TPE	
Dimension (mm)	395 x 435 x 1080	



Features:

- The handle can be folded and adjustable
- The platform can be extended
- Steering wheel with brakes

Article No.	10198211
Model No.	HT-150A
Description	Hand Truck Folding Aluminium Alloy 150 kg
Specification	
Capacity (kg)	150
Material	Handle:Chrome-plated steel tube Frame:Aluminium Handle holder and lower frame:Power-coated steel
Overall Size Opened (mm)	710 x 410 x 965
Overall size folded (mm)	560 x 410 x 245
Packing carton size (mm)	440 x 135 x 580
Wheels Diameter (mm)	100 PP
Net weight (kg)	8.5



TOOL CART



PNEUMATIC WHEEL



10135461

Features :

- Can be used for holding the flowerpot, tool or other things
- Material painted steel
- Steel mesh container with removable foldable fence

Article No.	10106917
Model No.	PRTM30
Description	Tool Cart Pneumatic Tyre 300Kg
Specification	
Capacity (kg)	300
Material	Steel
Container Dimension (mm)	1160 x 540 x 230
Wheel Diameter (in)	13
Castor Type	Pneumatic Rubber
Weight (kg)	21.5

Article No.	Description
10135461	Pneumatic Wheel for KW0500422, 10106917

PLATFORM HAND TRUCK



Features :

- Foldable platform hand truck with plastic and steel material.
- Four polyurethane wheels
- The handle is more comfortable and practical

Article No.	10100179	10100180	10548174	10100181	10100182
Model No.	PRHTP150	PRHTP300	PRHTS500	PRHTS700	PRHTS1100
Description	Platform Hand Truck 150kg Plastic	Platform Hand Truck 300kg Plastic	Platform Hand Truck 500kg Steel	Platform Hand Truck 700kg Steel	Platform Handtruck 1100kg Steel
Specification					
Capacity (kg)	150	300	500	700	1100
Material	Plastic + Steel			Steel	
Wheel Diameter (mm)	100	125		150	
Castor Type	Polyurethane				
Dimension (mm)	730 x 490 x 860	900 x 600 x 910	900 x 600 x 910	900 x 600 x 700	1035 x 635 x 925
Weight (kg)	8	12.4	18	22.2	28.1

SIX WHEEL NARROW



Features:

- Long and narrow body, more convenient for specific occasions
- Removable guardrails on both sides
- Six high-quality casters, 360 degrees of free rotation

Article No.	10209393
Model No.	NC-3
Description	Six Wheel Narrow Cart 300Kg
Specification	
Capacity (kg)	300
Material Platform	Plastic
Platform Size (mm)	1280 x 420
Dimension Unit (mm)	1280 x 420 x 1495
Number of Wheel	2 Fix and 4 Swivel
Wheel Diameter (in)	6
Wheel	Solid rubber
Weight (kg)	23

FOLDABLE HAND TRUCK



- Features :
- Handle can be folded to save storage space when not in use
 - Anti slip mat to prevent goods from sliding

Article No.	KW0500047	KW0500048
Model No.	PRHTS150	PRHTS300
Description	Foldable Handtruck 150kg Small	Foldable Handtruck 300kg Small
Specification		
Capacity (kg)	150	300
Material	Steel	
Wheel Diameter (inch)	4	
Castor Type	Solid Rubber	
Dimension (mm)	730 x 470 x 835	915 x 610 x 870
Weight (kg)	7.9	13

HAND TRUCK FOLDING PLASTIC



- Features :
- Adjustable handle and platform
 - Elegant black foldable hand truck
 - Widely used in foreign family, for picnic, shopping etc

Article No.	10198212
Model No.	PRHTPF50
Description	Hand Truck Folding Plastic 50kg
Specification	
Capacity (kg)	50
Material	Handle & Hook : ABS Frame & Bottom Plate : PP
Wheel Diameter (mm)	100
Castor Type	PP
Dimension (mm)	340 x 260 x 970
Weight (kg)	1.9

CONNECTED MOVER DOLLY



SWIVEL CASTOR



10135460

Note : Wheel not include frame

- Features :
- Ideal for carrying heavy or large goods
 - Durable,easy and convenient to assemble & use,
 - Folds easily in seconds



Article No.	10106968
Model No.	PRCD6040
Description	Connected Mover Dolly 80kg
Specification	
Capacity (kg)	80
Material	Plastic
Wheel Diameter (inch)	2.5
Castor Type	Solid Rubber
Dimension (mm)	600 x 400 x 115
Weight (kg)	5

Article No.	Description
10135460	Swivel Castor 2.5" for 10106968

HAND PALLET



HAND PALLET


3000kg
KW0500398

2000kg
KW0500399

Features:

- The oil pump body is made by assembling the separates prefabricated parts using threaded connection.
- All the joints are fitted with seals to ensure sealing and keep from oil leaking.
- Heavy gauge steel construction, drop forged lift link arms provide available strength and durability

* Available for Nylon and Polyurethane Wheel

Article No.	KW0500098	KW0500398	KW0500045	KW0500399
Model No.	PRHPN3055	PRHPP3055	PRHPN3068	PRHPP3068
Description	Hand Pallet 3T 550 x 1150 Nylon	Hand Pallet 3T 550 x 1150 PU	Hand Pallet 3T 685 x 1220 Nylon	Hand Pallet 3T 685 x 1220 PU
Specification				
Capacity (kg)	3000			
Total Lift Height (mm)	200			
Lowered Fork Height (mm)	85			
Fork Dimensions (mm)	53 / 160 / 1150		53 / 160 / 1220	
Width Over the Fork (mm)	550		685	
Fork Wheel Diameter (mm)	80 x 70			
Steering Wheel Diameter (mm)	200 x 50			
Castor Type	Nylon	Polyurethane	Nylon	Polyurethane
Dimension (mm)	1550 x 550 x 1248		1620 x 685 x 1248	
Weight (kg)	63		75	

Article No.	KW0500288	KW0500396	KW0500289	KW0500397
Model No.	PRHPN2055	PRHPP2055	PRHPN2068	PRHPP2068
Description	Hand Pallet 2T 550 x 1150 Nylon	Hand Pallet 2T 550 x 1150 PU	Hand Pallet 2T 685 x 1220 Nylon	Hand Pallet 2T 685 x 1220 PU
Specification				
Capacity (kg)	2000			
Total Lift Height (mm)	190			
Lowered Fork Height (mm)	75			
Fork Dimensions (mm)	53 / 150 / 1150		53 / 150 / 1220	
Width Over the Fork (mm)	550		685	
Fork Wheel Diameter (mm)	70 x 80			
Steering Wheel Diameter (mm)	160 x 50			
Castor Type	Nylon	Polyurethane	Nylon	Polyurethane
Dimension (mm)	1550 x 550 x 1248		1620 x 685 x 1248	
Weight (kg)	55		60	

HAND PALLET WHEEL
NYLON FORK WHEEL

NYLON STEERING WHEEL

POLYURETHANE FORK WHEEL

POLYURETHANE STEERING WHEEL


Article No.	Description
KW0500088	Nylon Steering Wheel for KW0500045, 98, 463
KW0500089	Nylon Fork Wheel for KW0500045, 98, 463
KW0500366	Nylon Steering Wheel for KW0500288, KW0500289
KW0500367	Nylon Fork Wheel for KW0500288, KW0500289

Article No.	Description
KW0500090	Polyurethane Steering Wheel for KW0500398, 399, 500
KW0500091	Polyurethane Fork Wheel for KW0500398, 399, 500
KW0500368	Polyurethane Steering Wheel for KW0500396, 397
KW0500369	Polyurethane Fork Wheel for KW0500396, 397

HEAVY DUTY HAND PALLET

3500kg

10484630

Features :

- Ergonomically designed handle
- Reliable oil leak-proof hydraulic system
- Reinforced steel frame

Article No.	10484630	10484631
Model No.	PRHPP3555	PRHPP3568
Description	Hand Pallet 3.5T 550 x 1150 PU	Hand Pallet 3.5T 685 x 1220 PU
Specification		
Capacity (kg)	3500	
Total Lift Height (mm)	200	
Lowered Fork Height (mm)	85	
Fork Dimensions (mm)	53 / 160 / 1150	53 / 160 / 1220
Width Over the Fork (mm)	550	685
Fork Wheel Diameter (mm)	Ø 80 x 70	
Steering Wheel Diameter (mm)	Ø 200 x 50	
Castor Type	Polyurethane	
Dimension (mm)	1550 x 550 x 1248	1620 x 685 x 1248
Weight (kg)	100	105


5000kg

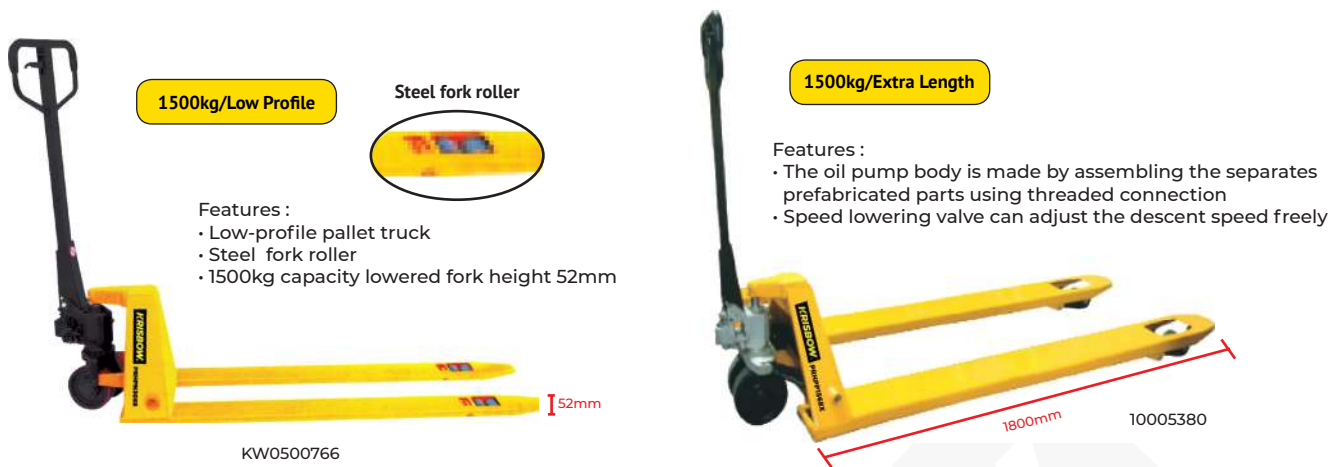
10534144

Features :

- Light weight fork frame, made from high rigidity steel plate
- Compact appearance, complete rocker arm, ensure the whole truck evenly pressed
- The utilized structural design guarantees the convenience of assembling and disassembling

Article No.	10534143	10534144
Model No.	PRHPN5068	PRHPP5068
Description	Hand Pallet 5T 685 x 1220 Nylon	Hand Pallet 5T 685 x 1220 PU
Specification		
Capacity (kg)	5000	
Total Lift Height (mm)	185	
Lowered Fork Height (mm)	85	
Fork Dimensions (mm)	60 / 160 / 1220	
Width Over the Fork (mm)	685	
Fork Wheel Diameter (mm)	Ø 85 x 80	
Steering Wheel Diameter (mm)	Ø 200 x 50	
Castor Type	Nylon	Polyurethane
Dimension (mm)	1614 x 685 x 1253	
Weight (kg)	103	110

LOW PROFILE AND EXTRA LONG HAND PALLET



Article No.	KW0500766	KW0500463	10005380
Model No.	PRHPP1568L	PRHPN1568X	PRHPP1568X
Description	Hand Pallet Low 1.5T 685 x 1220 PU	Hand Pallet Long 1.5T 685 x 1800 Nylon	Hand Pallet Long 1.5T 685 x 1800 PU
Specification			
Capacity (kg)	1500		
Total Lift Height (mm)	140		200
Lowered Fork Height (mm)	52		85
Fork Dimensions (mm)	38 / 150 / 1220		53 / 150 / 1800
Width Over the Fork (mm)	685		
Fork Wheel Diameter (mm)	∅ 50 x 93		∅ 80 x 70
Steering Wheel Diameter (mm)	∅ 150		∅ 200 x 50
Castor Type	Polyurethane	Nylon	Polyurethane
Dimension (mm)	1620 x 685 x 1248		2200 x 685 x 1248
Weight (kg)	80		147

HAND PALLET ROLL



- Features :
- Ergonomically designed handle with comfortable rebber grip allows the optimized safety as well as comfortable.
 - Excellent galvanized whole casting hydraulic pump robust and durable
 - With fine control of lowering speed and overload valve, low routine maintenance

Article No.	10522364	10522365	10522366	10522367
Model No.	PRRHP2076P	PRRHP2085P	PRRHP2100P	PRRHP2115P
Description	Hand Pallet Roll 2T 760 x 1220mm	Hand Pallet Roll 2T 850 x 1220mm	Hand Pallet Roll 2T 1000 x 1220mm	Hand Pallet Roll 2T 115 x 1220mm
Specification				
Capacity (kg)	2000			
Roll Diameter Min – Max (mm)	400-600	600-800	800-1200	1200-1600
Lifting Height (mm)	115			
Lowered Fork Height (mm)	175		200	187
Width Over Fork (mm)	760	850	1000	1150
Fork Length (mm)	1220			
Steering Wheel (mm)	∅ 200 x 50			
Load Wheel (mm)	∅ 80 x 70			
Wheel Type	Polyurethane			
Dimension (mm)	1670 x 760 x 1233	1670 x 850 x 1233	1670 x 1000 x 1233	1670 x 1150 x 1233
Weight (kg)	144	149	168	190

HAND PALLET STAINLESS STEEL



Features :

- Widely used in area of pharmacy, foods-beverages, chemical, marine
- Suitable for very low temperature condition e.g. freezer and cooler area
- Specially design for application where hygiene is of at most importance

Article No.	10016821	10016913
Model No.	PRHPSN2055	PRHPSN2068
Description	Hand Pallet Stainless Steel 2T 550 x 1150 Nylon	Hand Pallet Stainless Steel 2T 685 x 1150 Nylon
Specification		
Capacity (kg)	2000	
Total Lift Height (mm)	200	
Lowered Fork Height (mm)	85	
Fork Dimensions (mm)	45 / 160 / 1150	
Width Over the Fork (mm)	550	685
Fork Wheel Diameter (mm)	Ø 180 x 50	
Steering Wheel Diameter (mm)	Ø 74 x 70	
Castor Type	Nylon	
Dimension (mm)	1550 x 550 x 1248	1550 x 685 x 1248
Weight (kg)	80	

HAND PALLET with SCALE



Features :

- Capacity : 2,000kg in 1kg resolution
- Scale function : zero correction, gross/nett weighing, total weight
- Power supply : 4 x 1.5V AA-batteries
- Low battery warning + auto shut off function after 3 minutes

Article No.	KW0500336
Model No.	PRHPPS2055
Description	Hand Pallet Scale 2T 550 x 1150 PU
Specification	
Capacity (kg)	2000
Total Lift Height (mm)	200
Lowered Fork Height (mm)	85
Fork Dimensions (mm)	45 / 180 / 1150
Width Over the Fork (mm)	570
Fork Wheel Diameter (mm)	Ø 74 x 70
Steering Wheel Diameter (mm)	Ø 180 x 50
Castor Type	Polyurethane
Dimension (mm)	1550 x 570 x 1248
Weight (kg)	90

HAND PALLET ROUGH TERRAIN



Features :

- Robust metal frame
- Easy handling, to pull and elevate
- Hydraulic elevator with built in pump

Article No.	10141909
Model No.	PRHPPN1286RT
Description	Hand Pallet Rough Terrain 1.2T 86 x 160cm
Specification	
Capacity (kg)	1200
Total Lift Height (mm)	233
Lowered Fork Height (mm)	53
Fork Dimensions (mm)	53 / 100 / 860
Adjustable Fork Width (mm)	212 – 735
Front Wheel (mm)	Ø 550 x 132
Rear Wheel (mm)	Ø 330 x 100
Wheel Type	Pneumatic Rubber
Dimension (mm)	1375 x 1605 x 1200
Weight (kg)	235

HIGH LIFT PALLET TRUCK



Features :

- Combination of lift table and pallet truck
- Captured scissor rollers provides greater stability in raised position.
- Easily accessible hand controls

Article No.	KW0500086
Model No.	PRRPH1081
Description	High Lift Pallet Truck 1T 685 x 1150mm
Specification	
Power	Manual
Capacity (kg)	1000
Total Lift Height (mm)	810
Lowered Fork Height (mm)	85
Fork Dimensions (mm)	45 / 160 / 1150
Width Over the Fork (mm)	685
Fork Wheel Diameter (mm)	Ø 74 x 50
Steering Wheel Diameter (mm)	Ø 180 x 50
Castor Type	Nylon
Dimension Unit (mm)	1550 x 685 x 1248
Weight (kg)	100

ELECTRIC SKID LIFTER



Features :

- Combination of lift table and pallet truck
- Captured scissor rollers provides greater stability in raised position.
- Easily accessible hand controls

Article No.	10141910
Model No.	PRSLP1082A
Description	Electric Skid Lifter 1T 680 x 1120mm
Specification	
Power	Electric
Capacity (kg)	1000
Total Lift Height (mm)	825
Lowered Fork Height (mm)	85
Fork Dimensions (mm)	45 / 160 / 1120
Width Over the Fork (mm)	680
Fork Wheel Diameter (mm)	Ø 74 x 75
Steering Wheel Diameter (mm)	Ø 150 x 40
Castor Type	Polyurethane
Dimension Unit (mm)	1620 x 680 x 1248
Weight (kg)	178



SCISSOR LIFT TABLE


350kg
Features :

- Structural heavy duty steel construction
- Easy action foot operated hydraulic lift for raising table top
- Hand operated table descent control

Article No.	KW0500386
Model No.	PRSLM0313
Description	Hydraulic Scissor Lift Table 1300mm x 350kg
Specification	
Capacity (kg)	350
Total Lift Height (mm)	1300
Lowered Height Table (mm)	350
Table Size (mm)	910 x 500 x 50
Foot Pedal Cycles To Max Height (mm)	<60
Wheel Diameter (mm)	Ø 127 x 35
Wheel Type	Polyurethane
Dimension Unit (mm)	980 x 500 x 970
Weight (kg)	105


500kg

Article No.	KW0500072
Model No.	PRSLM0509
Description	Hydraulic Scissor Lift Table 900mm x 500kg
Specification	
Capacity (kg)	500
Total Lift Height (mm)	900
Lowered Height Table (mm)	340
Table Size (mm)	850 x 500 x 50
Foot Pedal Cycles To Max Height (mm)	<55
Wheel Diameter (mm)	Ø 127 x 35
Wheel Type	Polyurethane
Dimension Unit (mm)	1120 x 500 x 970
Weight (kg)	108


800kg

Article No.	KW0500559
Model No.	PRSLM0810
Description	Hydraulic Scissor Lift Table 1000mm x 800kg
Specification	
Capacity (kg)	800
Total Lift Height (mm)	1000
Lowered Height Table (mm)	420
Table Size (mm)	1000 x 510 x 60
Foot Pedal Cycles To Max Height (mm)	<70
Wheel Diameter (mm)	Ø 150 x 40
Wheel Type	Polyurethane
Dimension Unit (mm)	1150 x 510 x 996
Weight (kg)	115

POLYURETHANE WHEEL


Article No.	Description
10024622	Polyurethane Wheel for KW0500386
KW0500203	Polyurethane Wheel for KW0500072
KW0500823	Polyurethane Wheel for KW0500559

DRUM HANDLING



DRUM TRUCK PALLET



- Features :
- Easily glides over pallet to quickly load
 - With side shift function.
 - Has jaws to grip the drum rim

Article No.	10441286
Model No.	PRDTP38
Description	Drum Truck Pallet 380kg
Specification	
Rated Capacity (kg)	380
Lifting Height (mm)	595
Front Wheel Size (mm)	150
Rear Wheel Size (mm)	150
Dimension Unit (mm)	921 x 1551 x 1517
Nett Weight (kg)	168

DRUM GRABBER FORK



- Features :
- Can handle 1 or 2 drums simultaneously
 - Automatic clamping mechanism•Full automatic mechanical operation
 - Each drum will be gripped tight by auto-adjustable double -eagle-gripper unit

Article No.	10441287
Model No.	PRDGA2072
Description	Drum Grabber Fork 2 x 360kg
Specification	
Type	Double grip heads
Rated Capacity (kg)	2 x 360
Load Center Distance (mm)	1150
Eagle Gripper Adjustable Height (mm)	465 - 690
Single Fork Sleeve Size (mm)	150 x 55
Inner Width Of Double Fork Sleeve (mm)	430
Outer Width Of Double Fork Sleeve (mm)	750
Fork Sleeve Length (mm)	755
Dimension Unit (mm)	855 x 950 x 850
Nett Weight (Kg)	75

DRUM TURNER FORK

Features :

- Can easily lift, transport, raise and tilt loaded drums
- The 10" pull chain loop allows control from the drivers seat
- It has 30 : 1 ratio-Allow the drum to be 360° rotating pour material

Article No.	10441288
Model No.	PRDTA36
Description	Drum Turner Fork 364kg
Specification	
Rated Capacity (kg)	364
Drum Size (mm)	55 Gallon, 210 liter (Dia 450 x 700) (Dia 572 x 900)
Fork Opening (inner) (mm)	620
Fork Pocket Size (mm)	55 x 180
Dimension Unit (mm)	1100 x 860 x 920
Nett Weight (kg)	70

DRUM LOADER

PNEUMATIC WHEEL


KW0500615
Type 4.10/3.50-5

Features :

- Easily and quickly lift drums without hydraulic or electric connections
- Simply slip on to forks and tighten hand screws

Article No.	KW0500087
Model No.	PRDL30
Description	Drum Loader 300kg
Specification	
Rated Capacity (kg)	300
Maximum Height Of Drum (mm)	957
Minimum Height Of Drum (mm)	832
Diameter Of Drum (mm)	580
Weight (kg)	35

Article No.	Description
KW0500615	Pneumatic Wheel Drum Loader

DRUM LIFTER WITH TURNER

Features :

- Easily and quickly lift drums without hydraulic or electric connections
- Simply slip on to forks and tighten hand screws

Article No.	10118704
Model No.	PRSMD3514
Description	Hydraulic Drum Lifter With Turner 350kg
Specification	
Rated Capacity (kg)	350
Drum Size (mm)	572 (22.5" Diameter) 210 Liter (55 Galon)
Lifting Height (mm)	1450
Lifting Speed (mm / times)	12
Rear Castor Dia (mm)	Ø 195 x 50
Front Castor Dia (mm)	Ø 180 x 50
Dimension Unit (mm)	1330 x 900 x 2000
Nett Weight (kg)	160

* Also available unit with polyurethane (PU) wheel

MANUAL STACKER



KW0501844



KW0501845



10482866

- Features KW0501844, KW0501845 :
- Compact design for heavy-duty functions
 - Smooth lowering system
 - Economical warehouse solution

- Features 10482866 :
- With high quality frame
 - High strength fork, more stable load
 - Multi amplitude adjustable range

Article No.	KW0501844	KW0501845	10482866
Model No.	PRSM1016	PRSM2015	PRHSS2020
Description	Hydraulic Hand Stacker 1T x 1.6m	Hydraulic Hand Stacker 2T x 1.5m	Hand Stacker Straddle 2T x 2m
Specification			
Rated Capacity (kg)	1000		2000
Load Center (mm)	500	400	450
Fork Height, Lowered (mm)	90	93	85
Lifting Height (mm)	1600	1500	2000
Overall Dimension (mm)	1680 x 955 x 2090	1425 x 830 x 2085	1600 x 960 x 1580
Fork Dimension (mm)	60 / 142 / 1070	60 / 166 / 900	45 / 150 / 1050
Width Overthe Fork (mm)	295 - 930	350 - 720	330 - 740
Adjustable Straddle Leg Width (inner) (mm)	-	-	960 - 1440
Aisle With Pallet (mm)	2146	2131	2400
Turning Radius (mm)	1235	1250	1625
Weight (kg)	240	260	275

Article No.	Model No.	Description
10137090	PRSM1016	Hydraulic Hand Stacker 1T x 1.6m With PU
10137091	PRSM2015	Hydraulic Hand Stacker 2T x 1.5m With PU

HAND STACKER WHEEL

Nylon



Fork Wheel



Steering Wheel

Nylon wheel: Low rolling resistance, hard and rigid, ideal for rough floor, resistance against debris and dirt.

Order No.	Description
10001587	Nylon Fork Wheel for KW0501844
10001608	Nylon Steering Wheel for KW0501844
10001588	Nylon Fork Wheel for KW0501845
10001609	Nylon Steering Wheel for KW0501845

Polyurethane



Fork Wheel



Steering Wheel

Polyurethane wheel: Quiet running, low vibration, better grip, ideal for good and smooth finished floor surface.

Order No.	Description
10001589	PU Fork Wheel for KW0501844
10001610	PU Steering Wheel for KW0501844
10001590	PU Fork Wheel for KW0501845
10001611	PU Steering Wheel for KW0501845

SPRING LIFT TABLE



- Features :
- Automatically maintain a load at the ideal height for manual loading and unloading
 - Requires no electrical power
 - Stable design requires no floor lagging
 - Turntable allows for 360° rotation for easy load access
 - Easy to move to any location with optional table mover without forklift

Article No.	-
Model No.	PRSLT20
Description	Spring Lift Table 2T Dia. 1110 x 710mm
Specification	
Capacity (kg)	2000
Lowered Height (mm)	240
Reised Height (mm)	710
Platform Ring Outside Diameter (mm)	1110
Rotating Ring Inside Diameter (mm)	1035
Base Frame Length (mm)	1150
Base Frame Width (mm)	930



PALLET MOVER

ELECTRIC PALLET MOVER

LITHIUM-ION



10545166

- Features :
- Strong structure and Li-ion heart
 - Upgraded tiller head for ergonomics
 - Plug in & out Li-ion batteries maximize flexibility



10545168

Article No.	10545166	10545167	10545168	10545169
Model No.	PPPM1556LI	PPPM1568LI	PPPM2056LI	PPPM2068LI
Description	Electric Pallet Mover F4 1.5T 560 x 1150mm	Electric Pallet Mover F4 1.5T 685 x 1220mm	Electric Pallet Mover F4 2.0T 560 x 1150mm	Electric Pallet Mover F4 2.0T 685 x 1220mm
Specification				
Power	Electric			
Operation Type	Pedestrian			
Load Capacity (kg)	1500		2000	
Lifting Height (mm)	105			
Fork Dimension (mm)	55 x 150 x 1150	55 x 150 x 1220	50 x 150 x 1150	50 x 150 x 1220
Turning Radius (mm)	1360			
Aisle With Pallet (mm)	2160			
Battery / Charger (V/Ah)	24/20 / 24/5		48/20 / 24/5x2	
Dimension (mm)	1550 x 590 x 1190	1620 x 695 x 1190	1550 x 590 x 1190	1620 x 695 x 1190
Weight (kg)	120		140	

LITHIUM-ION



- Features :
- Lithium-ion technology
 - Robust safety arms
 - EPS- electric power steering system

Article No.	10518509	10518510
Model No.	PPPM2068LI	PPPM2054LI
Description	Electric Pallet Mover 2T 685 x 1220mm	Electric Pallet Mover 2T 540 x 1220mm
Specification		
Power	Electric	
Operation Type	Stand-on / Pedestrian	
Load Capacity (kg)	2000	
Lifting Height (mm)	120	
Fork Dimension (mm)	55 x 170x 1220	
Turning Radius (mm)	1826	
Aisle With Pallet (mm)	2606	
Battery (V/Ah)	24 / 205	
Battery Type	Lithium	
Dimension (mm)	2024 x 734 x 1288	
Weight (kg)	670	

ELECTRIC PALLET MOVER

Features :

- Powerful high quality AC drive
- Side protection bars stand on platform
- Sideways battery exchange compartment for quick and safe battery exchange

Features :

- Powerful high quality AC drive
- Fixed platform ensure safety in all travelling conditions
- Sideways battery exchange compartment for quick and safe battery exchange

Article No.	10053967	10053878	10104469	10057680	10057681
Model No.	PPPM2054	PPPM2068	PPPM2068X	PPPM2568	PPPM2568F
Description	Electric Pallet Mover AC 2T 540 x 1150mm	Electric Pallet Mover AC 2T 685 x 1220mm	Electric Pallet Mover AC 2T 685 x 2000mm	Electric Pallet Mover AC 2.5T 685 x 1150mm	Electric Pallet Mover AC 2.5T 685 x 1150mm
Specification					
Power	Electric				
Operation Type	Stand on / Ride on			Stand on	
Load Capacity (kg)	2000			2500	
Lifting Height (mm)	120				
Fork Dimension (mm)	60 / 173 / 1150	60 / 173 / 1220	60 / 160 / 2000	60 / 173 / 1150	
Turning Radius (mm)	1585		2395	1980	2520
Aisle With Pallet (mm)	2250	2290	3019	2550	3084
Battery (V/Ah)	24 / 200			24 / 375	
Dimension (mm)	1762 x 729 x 1338	1850 x 790 x 1338	2665 x 726 x 1338	2122 x 790 x 1338	2667 x 790 x 1235
Weight (kg)	610		630	950	1085

ELECTRIC PALLET MOVER PAPER ROLL
Features :

- This truck can hold paper roll diameter 1200mm-1500mm
- Regenerative braking function
- Battery side extraction



Article No.	-
Model No.	PPPMR20
Description	Electric Pallet Mover Paper Roll 2T 1200 x 1250mm
Specification	
Power	Electric
Operation Type	Stand-on / Pedestrian
Load Capacity (kg)	2000
Load Center (mm)	600
Lifting Height (mm)	205
Fork Height Lowered (mm)	85
Fork Length (mm)	1250
Fork Width (mm)	1200
Ground Clearance (mm)	30
Turning Radius (mm)	2100
Battery (V/Ah)	24 / 210
Battery Type	Lead Acid
Dimension (mm)	2262 x 1200 x 1279
Weight (kg)	1237

ELECTRIC TOWING

ELECTRIC PEDESTRIAN TOWING



- Features :
- It can draw cargo of 1000kg on a slope with the falling gradient of 3°
 - The height of the handle can be adjusted
 - It is equipped with lithium batteries

Article No.	10541138
Model No.	PPTP10
Description	Electric Towing Pedestrian 1.0T
Specification	
Capacity (kg)	1000
Rated Drawbar Pull (N)	200
Wheelbase (mm)	320
Travel Speed, Laden/Unladen (km/h)	4.5 / 5.0
Drawbar Pull, Laden/Unladen (N)	200
Drive Motor Rating S2 60 min (kW)	0.4
Battery (V/Ah)	24/20
Dimension (mm)	1300 x 520 x 1074
Weight (kg)	120

ELECTRIC TOWING STAND-ON



- Features :
- It is equipped with lithium batteries
 - It is lighter, narrower and smaller
 - Four way control of the operation handle

Article No.	10541139	10541140
Model No.	PPTS10	PPTS15
Description	Electric Towing Stand-On 1.0T	Electric Towing Stand-On 1.5T
Specification		
Capacity (kg)	1000	1500
Rated Drawbar Pull (N)	150	
Wheelbase (mm)	967	
Ground Clearance (mm)	45	
Tow Coupling Height Scope (mm)	123 / 146 / 169	
Turning Radius (mm)	1270	
Travel Speed, Laden/Unladen (km/h)	4.5 / 5.0	
Drawbar Pull, Laden/Unladen (N)	200	300
Drive Motor Rating S2 60 min (kW)	0.8	
Battery (V/Ah)	24 / 20	
Dimension (mm)	1280 x 620 x 1340	
Weight (kg)	125	150

ELECTRIC TOWING STAND-ON

Features :

- The innovation AC system offers strong power, accurate control
- High strength vertical gearbox, longer working life
- Sturdy load wheel ensure stability

Article No.	10553075	10553076
Model No.	PPTS30	PPTS45
Description	Electric Towing Stand-On 3.0T	Electric Towing Stand-On 4.5T
Specification		
Capacity (kg)	3000	4500
Rated Drawbar Pull (N)	600	900
Wheelbase (mm)	975	
Ground Clearance (mm)	66	
Tow Coupling, Type DIN 15170	Bolt type	
Turning Radius (mm)	1168	
Travel Speed, Laden/Unladen (km/h)	5/7	4.5/5
Drawbar Pull, Laden/Unladen (N)	600	900
Drive Motor Rating S2 60 min (kW)	2.5	
Battery (V/Ah)	24/210	24/280
Dimension (mm)	1282 x 800 x 1326	
Weight (kg)	760	850

ELECTRIC TOWING SIT-ON

Features :

- The innovation AC system offers strong power, accurate control
- High strength vertical gearbox, longer working life
- Sturdy load wheel ensure stability

Article No.	10553077	10553078
Model No.	PPTS30	PPTS60
Description	Electric Towing Sit-On 3.0T	Electric Towing Sit-On 6.0T
Specification		
Capacity (kg)	3000	6000
Rated Drawbar Pull (N)	750	1200
Wheelbase (mm)	1105	
Ground Clearance (mm)	150	
Tow Coupling, Type DIN 15170	Bolt type	
Turning Radius (mm)	1780	
Travel Speed, Laden/Unladen (km/h)	7/15	7/17
Drawbar Pull, Laden/Unladen (N)	750	1200
Drive Motor Rating S2 60 min (kW)	4	6
Battery (V/Ah)	48 / 240	48 / 275
Dimension (mm)	1945 x 1010 x 1335	
Weight (kg)	1100	1150

ELECTRIC STACKER

SEMI ELECTRIC STACKER

1500 kg



FIXED LEG

10482867

1500 kg



STRADDLE LEG

10482868

Features :

- Light and simple mechanical and hydraulic system
- Heavy duty design with quality mast construction
- Straddle leg design suitable for two faces or low pallet

Article No.	10482867	10482868
Model No.	PPSSF1530	PPSSS1530
Description	Semi Electric Stacker Fixed 1.5T x 3m	Semi Electric Stacker Straddle 1.5T x 3m
Specification		
Load capacity (kg)	1500	
Load center (mm)	450	
Lifting height (mm)	3000	
Lower mast height (mm)	2060	2050
Overall length (mm)	1790	1760
Overall width (mm)	810	1090-1475
Fork min height (mm)	90	85
Fork dimension (mm)	1050 x 180 x 50	
Width over fork (mm)	360-670	
Adjusting wide leg inner width range (mm)	-	960 / 1080 / 1200 / 1320 / 1440
Ground clearance (mm)	30	
Aisle width for pallet 1000 x 1200 (mm)	2230	2400
Turning radius (mm)	1450	1550
Lifting speed (mm/s)	Empty	130
	Full	80
Decline speed (mm/s)	Empty	0 - 190
	Full	0 - 400
Battery (V/Ah)	12/120	
Battery Type	Lead Acid	
Charger (V/A)	12/15	
Pump motor (V/kW)	12/1.6	
Weight (kg)	435	500

SEMI ELECTRIC STACKER SELF LIFT



Article No.	10417741
Model No.	PPSS0513
Description	Stacker Semi Self lift 0.5T x 1.3m
Specification	
Power	Semi electric
Operation Type	Ride on
Load Capacity (kg)	500
Lowered Mast Height (mm)	1681
Height Lower Fork (mm)	80
Lifting Height (mm)	1300
Fork Dimension (mm)	75 / 160 / 1050
Width Over The Fork (mm)	540
Aisle With Pallet (mm)	2481
Battery (V/Ah)	12 / 42
Tires	Polyurethane
Weight (kg)	303

Features :

- Unique design to ensure the stacker can lift it self safely without a load on its forks.
- High performance pump unit gives fast and stable lift and low noise.
- Maintenance-free battery for stable performance and easy service and maintenance

PORTABLE BOOM TRUCK



Article No.	10470717
Model No.	PPBT0315
Description	Portable Boom Truck 100kg x 155cm
Specification	
Rated load (kg)	100
Lifting height (mm)	1550
Lowered fork(mm)	65
Fork dimension (mm)	65 x 70 x 575
Width over the fork (mm)	500
Lifting motor power (kW)	0,8
Baterai capacity (V/Ah)	24 / 32
Dimension (mm)	1680 x 700 x 260
Weight, NW / GW (kg)	180

Features :

- The steel frame structure is strong and hard so it is not easy to deform
- Strong fork, anti-rust, corrosion resistance
- Easy to operate and stable when lifting goods



ELECTRIC STACKER FIXED LEG



1500kg
Height 3.4m
Full free lift triplex mast

Features :

- Powerfull high quality AC drive unit
- Robust and ergonomic design with various storage areas.
- Foldable platform with protective arms.

Residual capacity at different lifting height

Lifting height (mm)	Actual Capacity Q (kg)	
	600	700
2500	1500	1200
2700	1100	900
3400	900	700

Article No.	10059918
Model No.	PPSXF1534
Description	Electric Stacker 1.5T x 3.4m FFL
Specification	
Power	Electric
Operation Type	Stand on / Ride on
Load Capacity (kg)	1500
Lowered Mast Height (mm)	1726
Height Lower Fork (mm)	81
Lifting Height (mm)	3400
Fork Dimension (mm)	60 / 180 / 1150
Width Over The Fork (mm)	570
Aisle With Pallet (mm)	2360
Battery (V/Ah)	24 / 210
Tires	Polyurethane
Dimension (mm)	1983 x 910 x 1726
Weight (kg)	1035



1600kg
Height 4.6m

Features :

- Powerfull high quality AC drive unit
- Robust and ergonomic design with various storage areas.
- Foldable platform with protective arms

Residual capacity at different lifting height

Lifting height (mm)	Actual Capacity Q (kg)	
	600	700
2500	1600	1000
2700	1200	800
3400	1000	700
4600	800	500

Article No.	10059920
Model No.	PPSX1646
Description	Electric Stacker 1.6T x 4.6m
Specification	
Power	Electric
Operation Type	Stand on / Ride on
Load Capacity (kg)	1600
Lowered Mast Height (mm)	2102
Height Lower Fork (mm)	85
Lifting Height (mm)	4515
Fork Dimension (mm)	60 / 180 / 1150
Width Over The Fork (mm)	570
Aisle With Pallet (mm)	2400
Battery (V/Ah)	24 / 280
Tires	Polyurethane
Dimension (mm)	1895 x 1050 x 2102
Weight (kg)	1450

ELECTRIC STACKER STRADDLE LEG

Features :

- Powerful high quality AC drive unit
- Robust and ergonomic design with various storage areas.
- Foldable platform with protective arms



Article No.	-
Model No.	PPSXS1545
Description	Electric Stacker Straddle Leg 1.5T x 4.5m
Specification	
Power	Electric
Operation Type	Stand-on / Pedestrian
Load Capacity (kg)	1500
Load Center (mm)	600
Lifting Height (mm)	4500
Lowered Mast Height (mm)	2080
Fork Dimension (mm)	35 x 100 x 1070
Outside Width of The Fork (mm)	200 – 800
Ground Clearance (mm)	30
Inside Width at The End of Leg (mm)	1270
Turning Radius (mm)	1626
Aisle With Pallet 800x1200 lengthways (mm)	2587
Battery (V/Ah)	24 / 280
Battery Type	Lead Acid
Dimension (mm)	2003 x 1510 x 2200
Weight (kg)	1237



LITHIUM-ION



Features :

- Bolt-on Straddle for width adjustment
- Smooth powerful vertical AC motor and gear box
- Lithium-ion battery give high efficiencies, less maintenance

Article No.	10518511
Model No.	PPSX1250WLI
Description	Electric Stacker Straddle Leg 1.2T x 5.0m
Specification	
Power	Electric
Operation Type	Pedestrian
Load Capacity (kg)	1200
Load Center (mm)	600
Lifting Height (mm)	5000
Lowered Mast Height (mm)	2187
Fork Dimension (mm)	40 x 100 x 1070
Outside Width of The Fork (mm)	200 – 760
Ground Clearance (mm)	60
Inner Width at The End of Leg (mm)	970 / 1070 / 1170 / 1270
Turning Radius (mm)	1490
Aisle With Pallet 800 x 1200 lengthways (mm)	2400
Battery (V/Ah)	24 / 205
Battery Type	Lithium
Dimension (mm)	1947 x 1200 x 2187
Weight (kg)	1400

ELECTRIC STACKER FIXED LEG

LITHIUM-ION



- Features :
- Electric Power Steering, reduce operator's fatigue and increase productivity
 - Lithium-ion battery give high efficiencies, less maintenance
 - Foldable platform with protective arms

Article No.	10518512
Model No.	PPS1655LI
Description	Electric Stacker 1.6T x 5.5m
Specification	
Power	Electric
Operation Type	Stand-on / Pedestrian
Load Capacity (kg)	1600
Lifting Height (mm)	5500
Free Lift (mm)	1910
Lowered Mast Height (mm)	2352
Fork Dimension (mm)	60 x 190 x 1220
Distance between fork-arms	685
Turning Radius (mm)	1730 / 2090
Aisle With Pallet 1000 x 1200 crossways (mm)	2605 / 2965
Battery (V/Ah)	24 / 205
Battery Type	Lithium
Dimension (mm)	2035 x 850 x 2352
Weight (kg)	1500



Can be used in cold storage

- Features :
- Cold storage operation up to -20°C
 - Electric Power Steering, reduce operator's fatigue and increase productivity
 - Foldable platform with protective arms
 - Optional Lithium-ion battery give high efficiencies, less maintenance

Article No.	10518513
Model No.	PPS2055CLA
Description	Electric Stacker 2.0T x 5.5m
Specification	
Power	Electric
Operation Type	Stand-on / Pedestrian
Load Capacity (kg)	2000
Lifting Height (mm)	5500
Free Lift (mm)	1910
Lowered Mast Height (mm)	2352
Fork Dimension (mm)	60 x 190 x 1220
Distance between fork-arms	685
Turning Radius (mm)	1738 / 2099
Aisle With Pallet 1000x1200 crossways (mm)	2610 / 2971
Battery (V/Ah)	24 / 280
Battery Type	Lead Acid
Dimension (mm)	2035 x 850 x 2352
Weight (kg)	1600

ELECTRIC REACH STACKER



10057682

- Features (10057682, 10116702) :
- Powerful high quality AC drive unit
 - Robust and ergonomic design with various storage areas
 - Foldable platform with protective arms

- Features (10518514) :
- Cold storage operation up to -20°C
 - Foldable platform with protective arms
 - Precisely fork positioning with proportional lift
 - Optional Lithium-ion battery give high efficiencies, less maintenance



10518514



Can be used in cold storage

Article No.	10057682	10116702	10518514
Model No.	PPSXR1336	PPSXR1545	PPRS1555CLA
Description	Electric Reach Stacker 1.3T x 3.6 m	Electric Reach Stacker 1.5T x 4.5 m	Electric Reach Stacker 1.5T x 5.5m
Specification			
Power	Electric		
Operation Type	Stand-on / Pedestrian		
Load Capacity (kg)	1300	1500	1500
Lifting Height (mm)	3600	4500	5500
Free Lift (mm)	1200	1500	1375
Reach Distance (mm)	580	610	570
Fork Dimension (mm)	35 x 100 x 1150		40 x 100 x 1070
Turning Radius (mm)	1594	1640	1697
Aisle With Pallet 1000 x 1200 lengthways (mm)	2680	2760	2857
Battery (V/Ah)	24 / 400		24 / 280
Battery Type	Lead Acid		
Dimension (mm)	2130 x 1090 x 1796	2210 x 1090 x 2096	2354 x 850 x 2395
Weight (kg)	2100	2200	2210

ELECTRIC REACH STACKER WITH CLAMP



- Features :
- Suitable for clamping up the vertical paper roll, film roll
 - Electrical rotated with 360° Bidirectional rotation

Article No.	-
Model No.	PPRSR20
Description	Electric Reach Stacker With Soft Clamp 2T
Specification	
Operation Type	Stand-on / Pedestrian
Load Capacity (kg)	2000
Load Center (mm)	760
Roll Range (mm)	250-1520
Height (mm)	830
Horizontal Center of Gravity (mm)	345
Vertical Center of Gravity (mm)	305
Effective Thickness (mm)	208
Contact Pads (mm)	220 x 800
Conatct Pad Gap (mm)	200
Mounting Height (mm)	122
Weight (kg)	655



PALLET LIFTER

REACH PALLET LIFTER



10116948

Features :

- Electronic control functions
- Easy and convenient operation control
- Smart and easy quick battery replacement



Article No.	10116948		10118705		10478992	
Lifting height (mm)	Actual Capacity (kg)		Actual Capacity (kg)		Actual Capacity (kg)	
Load center distance (mm)	600	700	600	700	600	700
3300	2000	1600	2000	1600	2000	2000
5300	2000	1600	2000	1600	2000	2000
5500	1800	1500	1800	1500	2000	2000
5800	1700	1400	1700	1400	2000	2000
6000	1600	1300	1600	1300	2000	2000
6500	1500	1200	1500	1200	2000	2000
7000			1400	1000	2000	1700
8000			1000	800	1700	1500
9500			700	500	1000	900
10000					900	800
11500					600	550
12000					550	500

Article No.	10116948	10118705	10478992
Model No.	PPRT2065	PPRT2095	PPRT2012C
Description	Reach Pallet Lifter 2T x 6.5m	Reach Pallet Lifter 2T x 9.5m With Camera	Reach Pallet Lifter 2T x 12m With Camera
Specification			
Power	Electric		
Operation Type	Seated		
Load Capacity (kg)	2000		
Lifting Height (mm)	6500	9500	12000
Free Lift (mm)	1920	2920	4063
Reach Distance (mm)	630		595
Lowered Mast Height (mm)	2835	3835	4733
Fork Dimension (mm)	40 x 120 x 1070		40 x 120 x 1150
Min Ground Clearance (mm)	75		
Turning Radius (mm)	1750		
Aisle With Pallet 800x1000 / 1100x1200 (mm)	2795 / 3189		
Battery (V/Ah)	48 / 360		48 / 700
Battery Type	Lead Acid		
Dimension (mm)	2350 x 1260 x 2835	2350 x 1260 x 3835	2488 x 1270 x 4733
Weight (kg)	3700	4000	4660

LATERAL PALLET LIFTER (MAN DOWN)



10148740

Features :

- Finger-tips operation handle
- Electric power steering(EPS)system
- With electric magnetic multi-valve
- Optional magnetic tape guide

Article No.	10148740	10148741	10148742
Model No.	PPLP1562	PPLP1580	PPLP1595
Description	Lateral Pallet Lifter 1.5T x 6.2m	Lateral Pallet Lifter 1.5T x 8.0m	Lateral Pallet Lifter 1.5T x 9.5m
Specification			
Power	Electric		
Operation type	Seated		
Load capacity (kg)	1500		
Lowered mast height (mm)	3200	3800	4300
Free lift height (mm)	2100	2700	3200
Lifting height (mm)	6200	8000	9500
Fork dimension (mm)	40 / 120 / 950		
Min ground clearance (mm)	80		
Aisle with pallet (mm)	1600		
Battery (V/Ah)	48 / 1000		
Tires	Polyurethane		
Dimension (mm)	3055 x 1520 x 3200	3055 x 1520 x 3800	3055 x 1520 x 4300
Weight (kg)	6750	7750	8250

LATERAL PALLET LIFTER (MAN UP)



Features :

- Patented technology of three way electric drive fork
- Wide field of view, all round camera system
- Spacious cabin, to facilitate work
- Optional magnetic tape guide

Article No.	-
Model No.	PPLP16135M
Description	Lateral Pallet Lifter 1.6T x 13.5M With Camera
Specification	
Power	Electric
Operation Type	Stand-on (Man Up)
Load Capacity (kg)	1600
Lowered Mast Height (mm)	5318
Free Lift (mm)	4153
Lifting Height (mm)	13500
Sub Lifting Height (mm)	1520
Fork Dimension (mm)	122 x 50 x 1200
Overall Length Forks Side-ways (mm)	3818
Overall Width (mm)	1500
Min Ground Clearance (mm)	80
Turning Radius (mm)	2356
Aisle width for pallet 1000x1200 (mm)	1750
Aisle Width for Main Unit (mm)	5000
Tires	Polyurethane
Dimension (mm)	3818 x 1500 x 5318
Weight (kg)	9250



ORDER PICKER


Pallet lock device



Steering and speed adjusting device



Light and fan


Features :

- AC motor drive with high efficiency
- Pallet lock device, light and fan
- Sideway battery is convenient for exchanging and maintaining

Article No.	10202702	10202703
Model No.	PPOP1570	PPOP1590
Description	Order Picker 1.5T x 7m With Camera	Order Picker 1.5T x 9m With Camera
Specification		
Power	Electric	
Operation type	Stand On	
Load capacity (kg)	1500	
Lowered mast height (mm)	3080	3750
Lifting height (mm)	7000	9000
Fork dimension (mm)	45 / 100 / 1220	
Lower height fork (mm)	80	
Aisle with pallet (mm)	1400	
Battery (V/Ah)	24 / 700	
Tires	Polyurethane	
Dimension (mm)	3200 x 1352 x 3080	3200 x 1352 x 3750
Weight (kg)	3870	

DOUBLE DEEP PALLET LIFTER

Features :

- AC motor drive with high efficiency
- Can control the speed of driving and lifting in the same time
- Two model function can control the speed of lift and lowering

Article No.	10179197	10179208
Model No.	PPDD1065	PPDD1690
Description	Double Deep Pallet Lifter 1.0T x 6.5m	Double Deep Pallet Lifter 1.6T x 9m
Specification		
Power	Electric	
Operation type	Stand On	
Load capacity (kg)	1000	1600
Lowered mast height (mm)	2840	3743
Free lift height (mm)	2125	2756
Lifting height (mm)	6500	9000
Fork dimension (mm)	40 / 100 / 1070	
Min ground clearance (mm)	49	40
Aisle with pallet (mm)	3220	3667
Battery (V/Ah)	36 / 700	36 / 1000
Tires	Polyurethane	
Dimension (mm)	2609 x 1298 x 2840	3250 x 1070 x 3743
Weight (kg)	4100	5800

FORKLIFT

FORKLIFT ELECTRIC

LITHIUM-ION



10522311



Features :

- Higher performance for productivity boost
- The truck structure integrates aesthetics and practical design
- Lithium technology for replace internal combustion engine



10551763

Article No.	10551762	10551764	10522311	10551763
Model No.	PPEFL253LI	PPEFL303LI	PPFE3045LI	PPEFX302LI
Description	Forklift Electric 2.5T x 4.5M FFL	Forklift Electric 3T x 3M FFL	Forklift Electric 3T x 4.5M FFL	Forklift Electric 3T x 4.5M FFL
Specification				
Power	Electric			
Load Capacity (kg)	2500		3000	
Lowered Mast Height (mm)	2115	2040	2120	
Lifting Height (mm)	4500	3000	4500	
Free Lift Height (mm)	1550	1410	1490	
Fork Dimensions (mm)	40 x 122 x 1070	45 x 122 x 1070		
Ground Clearance (mm)	170	185	150	
Turning Radius (mm)	2305	2347	2217	
Aisle Width Pallets 800x1200 Length ways (mm)	4000	4028	3898	
Battery Voltage/Nominal Capacity (V/Ah)	80 / 130	80 / 280	80 / 410	80 / 150
Charger (V/A)	80 / 130	80 / 200		80 / 65
Tyre Type	Solid			
Dimension (mm)	3600 x 1054 x 2165	3610 x 1210 x 2180	3610 x 1210 x 2180	3566 x 1154 x 2170
Weight (kg)	4055	4305	4405	4150

LITHIUM-ION



Features :

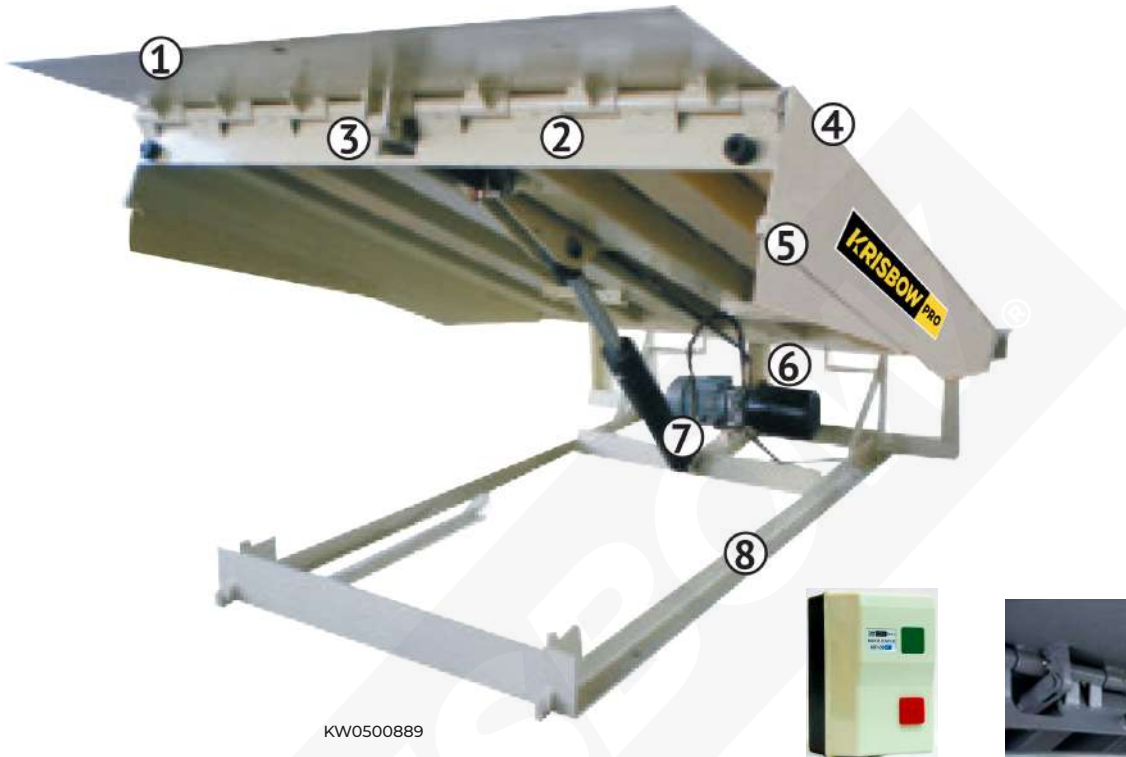
- Adjustable steering wheel and comfortable bucket seat
- Multi battery chargers fulfilling different needs
- The lithium technology has proven itself as an emission free

Article No.	10551765	10551766
Model No.	PPFE4530LI	PPFE5030LI
Description	Forklift Electric 4.5T x 3.0M FFL	Forklift Electric 5.0T x 3.0M FFL
Specification		
Power	Electric	
Load Capacity (kg)	2318	
Lower Mast Height (mm)	3000	
Lifting Height (mm)	1190	
Free Lift (mm)	50 x 150 x 1070	
Fork Dimension (mm)	140	
Ground Clearance (mm)	40 / 100 / 1070	
Turning Radius (mm)	2736	2780
Aisle Width Pallet 1000x1200 crossways (mm)	4424	4450
Battery Voltage/Nominal Capacity (V/Ah)	80 / 540	
Tyre Type	Solid	
Dimension (mm)	4027 x 1550 x 2318	4127 x 1550 x 2318
Weight (kg)	7150	7450



LOADING UNLOADING

DOCK LEVELER



KW0500889

- 1.Lip
- 2.Lip hinge
- 3.Lip cylinder
- 4.Deck
- 5.Toe guard plate
- 6.Hydraulic power unit
- 7.Main cylinder
- 8.Frame

Features :

- Reinforced gusseted lip
- Full width one-piece lip hinges pin and tube
- Heavy duty high pressure cylinders

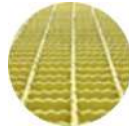


Article No.	KW0500889	KW0501480	KW0501619	KW0501620	10027544
Model No.	PPDL1832	PPDL1525	PPDL1845	PPDL1823	PPDL1850
Description	Dock Leveler 12T 1850 x 3220mm	Dock Leveler 12T 1500 x 2500mm	Dock Leveler 13T 1880 x 4500mm	Dock Leveler 13T 1880 x 2300mm	Dock Leveler 12T 1850 x 5000mm
Specification					
Capacity (kg)	12000		13000		12000
Platform Size (WxL) (mm)	1850 x 3220	1500 x 2500	1880 x 4500	1880 x 2300	1850 x 5000
Lowered Height (mm)	500		650	500	650
Lip Board Width (mm)	450				
Travel Up/Down (mm)	300 / 300		550 / 300	300 / 300	550 / 250
Pit Dimension (LxWxH) (mm)	3390 x 1900 x 510	2670 x 1550 x 510	4670 x 1930 x 660	2470 x 1930 x 510	5170 x 1900 x 655
Input Voltage (V/Ph)	380 / 3				
Motor (kW)	0.75				
Weight (kg)	1050	1020	1450	1130	1500

DOCK RAMP



Article No.	10141204
Model No.	PPDRM80
Description	Dock Ramp Mobile 8T With Outtrigger
Specification	
Operation	Manual
Capacity (kg)	8000
Forklift Capacity (kg)	5000
Overall Dimension (LxW) (mm)	10450 x 2000
Slope Length (mm)	7000
Flat Length (mm)	2200
Lip Plate Length (Up/Down) (mm)	300 / 950
Height Min-Max (mm)	1200 - 1800
Wheel Diameter (mm)	450 (Solid Tyre)
Weight (kg)	2780



Anti skid steel grating plate



Safe protection chains on vehicle - ride bridge

Features :

- Heavy duty deck construction
- Heavy duty high pressure cylinders
- Forklift pick-up slot

LOAD CONVEYOR



10440669

Features :

- High grip PVC belt material
- Height adjustable by screw motor
- 6" heavy duty caster, with brake
- Customize specification available by indent based

Article No.	10440669	10440757
Model No.	PPCL6025A	PPCL6019A
Description	Load Conveyor W60 H250 HD50kg	Load Conveyor W60 H190 HD50kg
Specification		
Capacity (kg/m)	50	
Length of slope section (mm)	3800	2700
Length of lower section (mm)	900	700
Belt width (mm)	600	
Conveyor Height min/max (mm)	700 - 2500	800 - 1900
Height of lower section (mm)	700	800
Adjustable Speed (m/min)	10 - 20	
Lifting motor (kW)	2.2	1.5
Belt motor (kW)	1.5	
Power supply (V)	220	
Castors With Brake (mm)	125	
Weight (kg)	650	620



FLEXIBLE ELECTRIC ROLLER CONVEYOR



10440756

Features :

- Expandable length
- All swivel casters with brake
- Stop/start/reverse control variable speed

Article No.	10440756	10440758
Model No.	PPCFR6042A	PPCFR6020A
Description	Flexroll Conveyor W60 L420	Flexroll Conveyor W60 L200
Specification		
Capacity (kg/m)	50	
Rollers (mm)	50 x 600	
Conveyor Length (mm)	1840 – 4200	920 – 2000
Conveyor Width (mm)	600	
Conveyor Height min/max (mm)	700 – 1000	800 – 1200
Adjustable Speed (m/min)	10 – 18	
Motor (w)	60 x 5	60 x 3
Castors With Brake (inch)	5	
Voltage (v)	220	
Weight (kg)	170	130

FLEXIBLE GRAVITY CONVEYOR



PPGRC



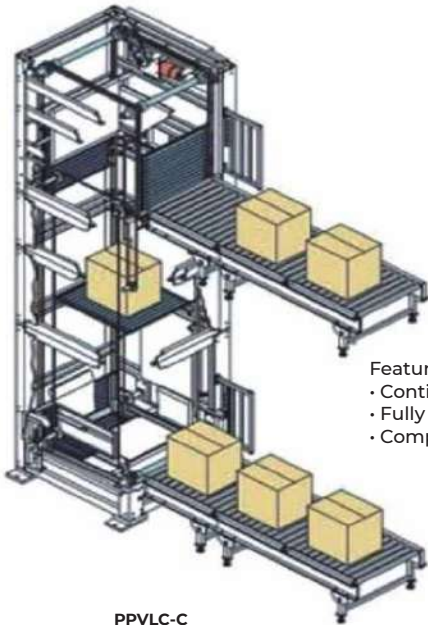
PPGSC-S

Features :

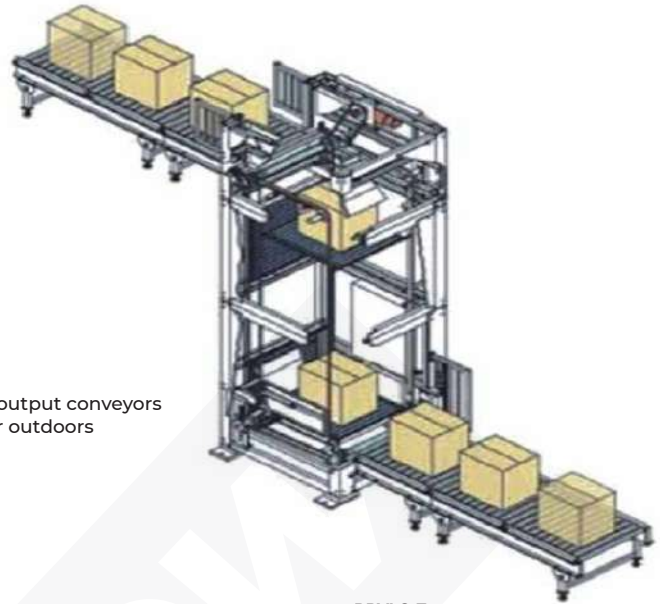
- Expandable length
- Drive by gravity
- All swivel casters with brake

Model No.	Description	Open Length	Effective Width	Adjustable Height	Max. Load	Material
PPGRC	Flexible Gravity Roller Conveyor	5000mm – 15000mm	600mm – 800mm	700mm – 1000mm	50kg/m	Ø 50mm Steel Wheel
PPGSC-N	Flexible Gravity Nylon Skate Wheel Conveyor	6000mm – 15000mm	600mm / 450mm	700mm – 1000mm	40kg/m	Ø 48mm Nylon Wheel
PPGSC-S	Flexible Gravity Steel Skate Wheel Conveyor	6000mm – 15000mm	600mm / 450mm	700mm – 1000mm	40kg/m	Ø 48mm Steel Wheel

VERTICAL CONVEYOR



PPVLC-C



PPVLC-Z

- Features :
- Continuous working in two ways
 - Fully automatic with input and output conveyors
 - Compact in size, either indoors or outdoors

Model No.	Description	Min. Lifting Height	Max Lifting Speed	Beat	Max Load	Goods
PPVLC-C	Vertical Lifting Conveyor Type C	1500mm	30m/min	Max 10pcs/min	500kg	Cartons / Boxes / Pallets
PPVLC-Z	Vertical Lifting Conveyor Type Z	1000mm	40m/min	Max 30pcs/min	2000kg	Cartons / Boxes / Pallets

TAIL LIFT TRUCK



- Features :
- Thick diameter smooth lifting
 - Simple and convenient
 - Four actions of ascending, descending, upturning and downturning



Article No.	10438364
Model No.	TL10-1817
Description	Tail Lift Truck IT 1800 x 1700
Specification	
Capacity (kg)	1000
Platform Size (WxH) (mm)	1800 x 1700
U Shape Length	750
Floor Height the Vehicle to Ground (mm)	700 - 1500
Platform Work Angle	5° - 9°
Power Supply (V)	12 / 24
Weight (kg)	350

CARGO LIFT

2 POST AND 4 POST LIFT TABLE



PPCL-2P



PPCL-4P

Features :

- High strength H-steel with powder coating
- Two or four stops available
- Hydraulic drive system: stable and safety
- Multi-safe-device to protect operator' safety

Cargo elevator can be fixed in the pit to keep the same level with ground. Or we can also offer one fixed ramp for convenient loading/ unloading work if pit is not allowable

Model No.	Description	Capacity (kg)	Lifting Height (mm)	Platform Size (mm)	Control Mode	Drive Mode	Voltage (Ph/V/Hz)
PPCL-2P	Two Post Cargo Lift	300 - 2000	2000 – 3500	Min. 800 x 1000	PLC	Hydraulic Cylinder	3 / 380 / 50
PPCL-4P	Four Post Cargo Lift			Max. 5500 x 3000			

SCISSOR LIFT TABLE



Product Installation:



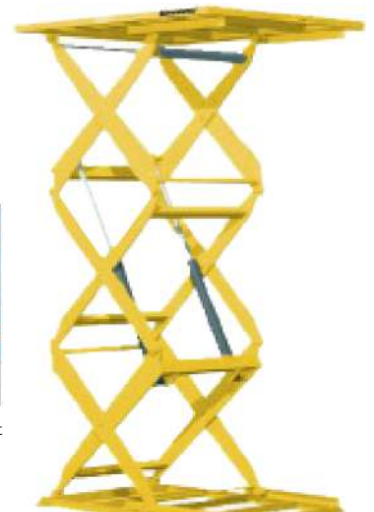
To be installed in the pre-set lift well



To be installed in free space indoor

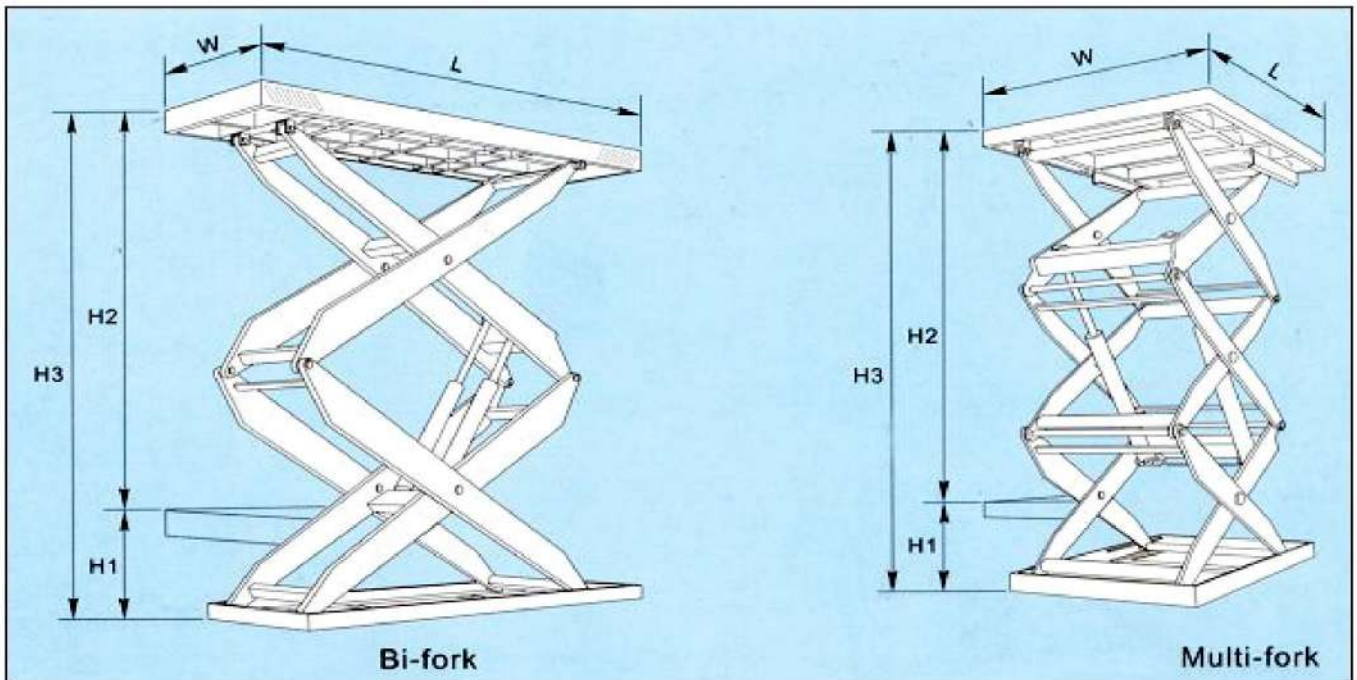


To be installed against the wall outdoor



Product characteristics:

- Installation flexibility. It can be installed at at rocious environment and general flameproof area.
- Wide range of application. It is applicable for cargo delivery at high levels of most industries.
- Flexible configuration. Table size and entry and exit entrance location can be configured flexibly to meet various installation environment and demands.
- Relatively economic. It has relatively lower price and maintenance fee and no special use machine room is needed. Construction budget can be, therefore, economized.
- Safe and reliable. Overload protection and pipe anti-crack safety valves for preventing table falling has been set up in hydraulic system to assure safe operation.
- Convenient operation. Control buttons can be set at all floors and tables to achieve multi-spots control.
- Liability insurance of product quality by PICC.

CARGO LIFT


Model No.	Capacity(kg)	H1 (mm)	H2 (mm)	H3 (mm)	Platform Size (mm)	Time (Sec)	Power (kW)
PPHLT2038	2000	650	3800	4450	2800 x 2000	102	3
PPHLT2050	2000	700	5000	5700	4500 x 2200	70	5.5
PPHLT2544	2500	700	4400	5100	3200 x 2000	51	5.5
PPHLT2572	2500	1000	7200	8200	5200 x 2500	95	7.5
PPHLT4535	4500	900	3500	4400	4000 x 2000	50	5.5
PPHLT4557	4500	1000	5700	6700	6000 x 2400	95	11
PPHLT5054	5000	1000	5400	6400	5200 x 2500	90	11
PPHLT0529	500	600	2900	3500	1500 x 1100	31	2.2
PPHLT0541	500	760	4100	4860	2000 x 1400	48	2.2
PPHLT0550	500	760	5000	5760	2000 x 1500	50	2.2
PPHLT0575	500	880	7500	8380	2400 x 1500	69	2.2
PPHLT1033	1000	720	3300	4020	1900 x 1500	45	2.2
PPHLT1041	1000	720	4100	4820	2200 x 1000	51	2.2
PPHLT1055	1000	880	5500	6380	2000 x 1600	65	3
PPHLT1089	1000	1100	8900	10000	2800 x 2000	97	4
PPHLT1540	1500	760	4000	4760	2100 x 1600	49	3
PPHLT1555	1500	860	5500	6360	2100 x 1500	65	4
PPHLT1565	1500	880	6500	7380	3300 x 2200	75	4
PPHLT2035	2000	820	3500	4320	2100 x 1500	48	4
PPHLT2038	2000	650	3800	4450	2800 x 2000	102	3
PPHLT2048	2000	880	4800	5680	2750 x 1850	53	5.5
PPHLT2060	2000	980	6000	6980	2400 x 1600	62	5.5
PPHLT2090	2000	1400	9000	10400	3000 x 1500	100	5.5
PPHLT2560	2500	1000	6000	7000	3200 x 2500	75	7.5

Model reference:

The models listed in the table are only for your reference, custom specification are available upon request. Please contact us for model selection according to different floor height, required carrying capacity and dimension of the tables.

Include Equipment:

Safety rail 1,2m height, two controller handle upper & lower, two limit witch, anti-burst valve, electric interlock, controller box, two limit switch, safety alarm cable power 3 meter.

KRISBOW®

Distributed by: